

DEALERS: GIVE THIS SHEET TO YOUR CUSTOMER

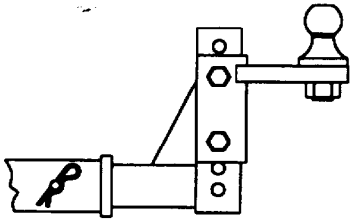
INSTALLATION INSTRUCTIONS

EQUIPMENT REQUIRED:

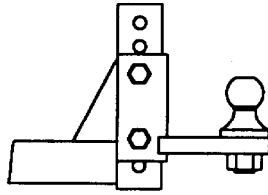
1-1/16, 1-1/8 wrenches, torque wrench (250 LB-FT).
 1-1/2 wrench for ball nut, large adjustable
 wrench or pipe wrench for ball flange.

MAX-E-MOUNT

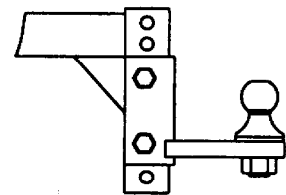
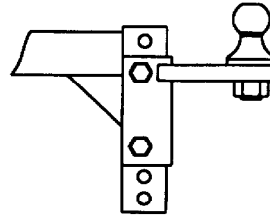
ADJUSTABLE WEIGHT CARRYING BALL MOUNT



SHANK UP



SHANK DOWN



ASSEMBLE BALL MOUNT TO MAKE TRAILER LEVEL WHEN HOOKED UP AND READY FOR TRAVEL AS FOLLOWS:

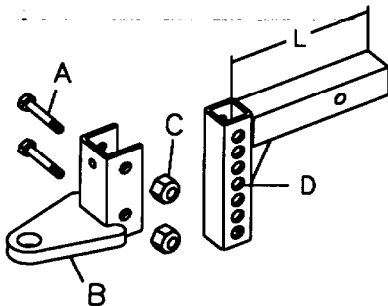
- (1) Select one of the four assembly configurations shown above.
 On most passenger cars shank must be in the "up" position to prevent it from striking roadway.
 On most high pickups and utility vehicles a "shank down" serves best.
- (2) Insert shank into receiver and secure with hitch pin and clip.
- (3) Attach head to shank using two bolts and locknuts.
- (4) Tighten locknuts to 250 lb-ft (125 lb pull on 2 ft wrench)
- (4) Attach hitch ball to head.
 Use hitch ball with 1-inch diameter threaded shank.
 Tighten ball nut to 220-250 lb-ft
- (5) Connect trailer safety chains to receiver or to towing vehicle frame, not to ball mount, allowing only enough slack to freely permit turning.

ADJUSTABLE WEIGHT CARRYING BALL MOUNT COMPLETE ASSEMBLY

"L"	PART NO.
10"	01420
12"	01422
14"	01424

PARTS LIST

ITEM	PART NUMBER
A BOLT 3/4 - 10 X 4 SAE Grade 5	01376-016
B HEAD ASSEMBLY	01402
C LOCKNUT	01410
D SHANK ASSEMBLY	
10"	01430
12"	01432
14"	01434



NOTE:
 Order ball, hitch pin and clip separately.

THIS PRODUCT COMPLIES WITH SAFETY SPECIFICATIONS AND REQUIREMENTS FOR CONNECTING DEVICES AND TOWING SYSTEMS OF THE STATE OF NEW YORK AND V.E.S.C. REGULATION V-5.

APPROX WEIGHT (LB.) 26.5, 28.8, Or 31.0	FASTENER KIT NO. (INCLUDES TWO BOLTS AND NUTS) 01403
--	---

CAUTION: Check frequently making sure fasteners and ball are properly tightened, and that hitch pin is secure with clip. BOLTS ARE ATTACHED AT THE FACTORY FOR SHIPPING CONVENIENCE ONLY, AND MUST BE TORQUED TO PROPER TIGHTNESS BEFORE USE. Do not substitute bolts and nuts of different grade and type—order replacements by part number. replace locknuts if they become worn enough to turn freely without wrench.



Draw-Tite, Inc.
 40500 Van Born Road
 Canton, Michigan 48188