

OWNER'S MANUAL



NORTHERN
DESIGNS[™]
BY QUEST[®]



Expedition

8'8" x 7'1" Backpacking Dome

SAFETY

CAUTION!

This product is made of flame resistant fabric which is designed to self-extinguish when removed from flame. However, it is not fireproof and the fabric will burn as long as it is in contact with a flame or fueled by any other source.

DO NOT...

1. Do not pitch tent near an open flame.
2. Do not leave campfires unattended.
3. Do not allow CHILDREN or ADULTS to use lighted candles, matches or other flame sources in or near tents.
4. Do not use heating, lighting or cooking equipment with open flames in or near tents.
5. Do not use fuel burning/oxygen consuming devices (i.e. heaters, lanterns, or other flame sources) inside your tent at any time.
6. **Do not use other than recommended water repellent compounds on your tent. (See: "Seal the Seams")**
7. Do not spray the tent with insecticide.
8. **EXTREME CAUTION:** Never use any fuel burning/oxygen consuming device, or any device that produces fumes (including stoves, lanterns, candles, hibachis, or heaters) in or around your tent. Inhalation of fumes may result in carbon monoxide poisoning, injury and/or death.

DO...

1. Always extinguish campfire before leaving area.
2. Exercise care when using electricity and lighting in and near tents.
3. Disassemble and store tent properly after camping to ensure the tent's longevity.
4. Always use a hammer/mallet when driving stakes into the ground.

CARE

Your tent is made of UV-Tex 5™ fabric which is highly resistant to the sun's Ultraviolet (UV) light. Standard nylon tent fabric will quickly degrade if exposed to UV light. No tent can withstand prolonged exposure to sunlight.

Seal the Seams

Your tent is water repellent. However, it is *not* waterproof. During heavy rain, some leakage may occur. Keep objects from touching the inside of your tent, as objects may cause leakage at the point of contact. To prevent seam leakage (floor seams in particular), a seam sealer compound must be applied to the seams. Read the label on any product before using. Questions? Call the Customer Service number below.

Structural Integrity

Although our tents and screen houses are constructed to rigid specifications, periods of wind or rain soaking the ground may loosen the stakes and cause the uprights to sink into the ground. This will weaken the rigidity of the overall structure. Water pockets may also form in the roof if the unit is not assembled taut, the weight of which may cause broken frames and torn fabric.

Storage

Tents must never be rolled up or packed while damp, as mildew will form within a few days. Allow tent to dry completely before rolling and storing.

LIMITED 5 YEAR WARRANTY

For 5 years from the date of purchase, Northern Designs will replace, at our option, defects in material or workmanship that appear in this product, free of charge. You must have a copy of your receipt. Warranty service is available by writing:

Northern Designs

3333 Yale Way • Fremont, CA 94538-6169

or call toll free 1-800-775-1965

Mon.-Fri, 8:00 a.m. to 5:00 p.m. (PST-West Coast)

This warranty gives you specific legal rights.

You may also have other rights which vary from state to state.

REPLACEMENT PARTS



Expedition

HOW TO ORDER REPLACEMENT PARTS

Always mention the Model number in all correspondence regarding your tent and when ordering replacement parts. To order replacement parts listed below, or for any questions regarding your tent, call **1-800-775-1965** Mon.-Fri, 8:00 a.m. to 5:00 p.m. (PST-West Coast) or write to: **Northern Designs • 3333 Yale Way • Fremont, CA 94538-6169**

WHEN ORDERING REPAIR PARTS, ALWAYS GIVE THE FOLLOWING INFORMATION:

1. Model Number 2. Part Number 3. Part Descriptions

PART NO.	DESCRIPTION	QTY. REQ.
TPOL-99	Shock-corded tent poles, 9-sections	4
FPOL-99	Shock-corded rainfly pole, 6-sections	1
RFLY-99	Rainfly w/8 buckles	1
GEAR-99	Gear loft w/ 4 S-hooks	1
CBAG-99	Tent carry bag	1
PBAG-99	Pole bag	1
SBAG-99	Stake bag	1
PSET-99	Poles/ set of 5	1
SSET-99	Stakes/ set of 15	1
UN-PLSHOOK	Plastic S-hook	4
UN-BUCKLE	Plastic buckle	8
UN-PLORING	Plastic O-ring	4
UN-D8PINSTK	8" Al stake	15
UN-GROPE	Guy rope (2 m)	4
UN-PINRING	Aluminum pin and ring	6
UN-2PINRING	Aluminum double pin and ring	2
UN-PLNEWCLP	Plastic new clip	24

ASSEMBLY INSTRUCTIONS: EXPEDITION

IMPORTANT: WE ADVISE YOU TO ASSEMBLE THE TENT ONCE BEFORE GOING CAMPING TO ASSURE THAT ALL PARTS ARE PRESENT AND TO BECOME FAMILIAR WITH THE ASSEMBLY OF THE TENT.

To prolong the life of the tent floor, select a level, clean area for the campsite.

This tent takes two people to assemble.

Step 1 - Lay Out the Tent and Poles

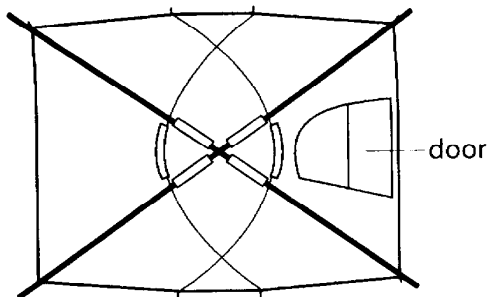
Select a smooth, level site and lay out your tent with the door unzipped and facing the direction you want.

Connect the shock-corded pole sections together to form 4 long tent poles and 1 shorter rainfly pole.



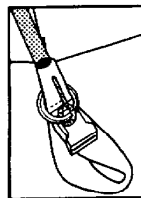
Step 2 - Install the Poles

Push 2 of the tent poles through the pole sleeve sets shown below.



Step 3 - Raise the Tent

To raise the tent, insert the pin **A** at one of the corners into a pole end. Carefully flex the pole in an arch and insert the opposite corner pin **B** into the pole end. Repeat for the second pole. (Note that the front pin and ring assemblies have 2 pins on them. One pin is for the rainfly vestibule pole.)



Attach the quick clips **C** to the tent poles.

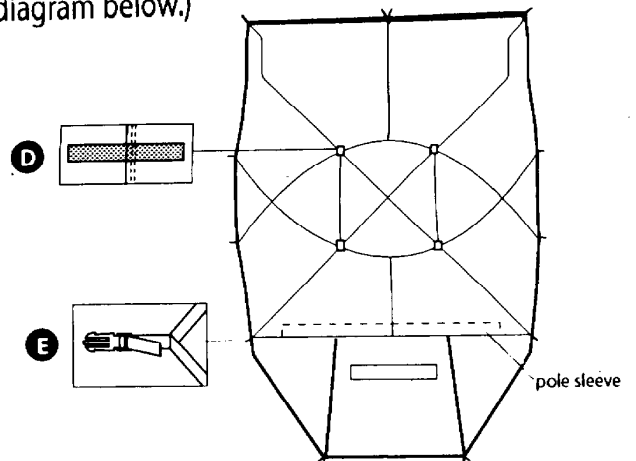
Push a third pole through the pole sleeve over the door of the tent. Insert the pins into the pole ends and attach the quick clips as before.

Push the last pole through the pole sleeve at the back of the tent. Install as the other poles.

Stake the tent to the ground by driving a tent stake through each of the webbing loops (ie **A**) around the base of the tent.

Step 4 - Install the Rainfly

Push the rainfly pole through the pole sleeve located on the underside of the rainfly. (See diagram below.)



Place the fly over the tent with the pole in front of the door. Wrap the 4 velcro straps **D** underneath the fly around the tent poles.

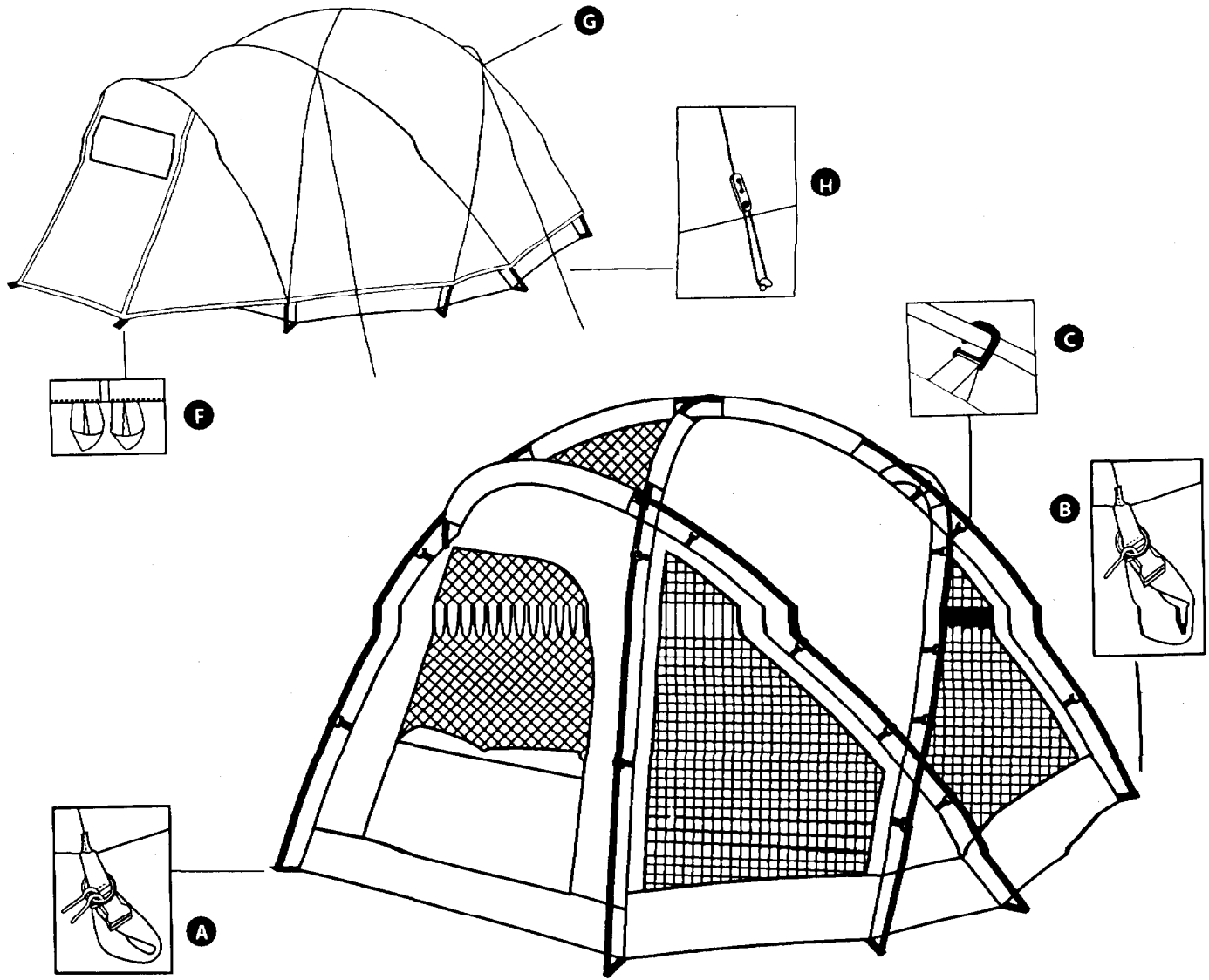
Attach the back of the fly by connecting the buckle half on the fly's back corners **E** to the half on the pin and ring assembly **B**.

Insert the remaining pins on the front pin and ring assemblies into the ends of the rainfly pole. Connect the rest of the buckles on the sides of the tent.

Pull the front of the fly vestibule out taut and drive stakes through the webbing loops **F**.

Step 5 - Install the Guy Lines

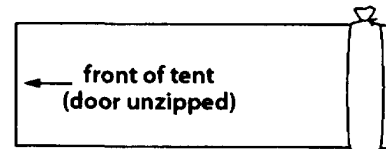
Tie the loose ends of the guy lines through the O-rings **G** on top of the fly. Make a loop at the other end with the slider and stake the end out a few feet from the tent base. **H** Adjust the line tension with the slider.



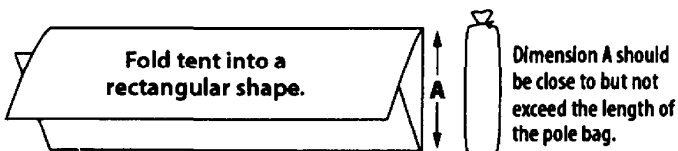
Taking Down Your Tent

- Unzip doors and windows and collapse the tent, removing and disassembling the poles. Place poles in the pole storage bag and tie shut.
- Remove stakes. Do not remove stakes from the ground by pulling on the stake loops. This may cause the stake loops to tear out of the seam.
- Spread tent out flat with all loose fabric and rainfly (if tent has one) within the edges of the tent base. Try to flatten tent as much as possible.
- Fold tent in half, thirds or quarters. (Folding depends on the length of the tent pole sections.)

- Place pole bag on back end of tent (trapped air is more easily forced out of the open door when you are rolling up the tent.) The folded tent should be the width of the pole bag.



- Beginning at the back end, roll your tent tightly around the pole bag, forcing out excess air as you roll. Keep tent edges straight and pole bag centered as you roll.
- When tent is rolled up, tie strap around it and place into tent carry bag with stake bag, instruction sheet, and other miscellaneous parts. If tent won't fit into bag, unroll and reroll more tightly.



CAMPER'S CHECKLIST AND HELPFUL HINTS

SAFETY AND HEALTH AIDS

- Insect repellents
- Suntan lotions
- First aid kit
- Life preservers

CAMP NEEDS

- Axe or hatchet
- Pocket knife
- Sewing kit
- Heavy-duty tape
- Rope and clothes pins
- Small shovel (to extinguish fires)
- Fishing rod and other sporting gear
- Broom
- Whisk broom
- Compact tool kit
- Hammer or mallet

CAMPING EQUIPMENT

- Tent
- Sleeping bags
- Ground sheet
- Air mattress and repair kit
- Portable stove
- Cooler
- Water jug
- Pail
- Toilet tissue
- Wash basin
- Mirror
- Folding table
- Lounge chairs
- Funnel for fueling appliances
- Camp lantern with extra mantles
- Flashlight
- Small fire extinguisher
- Rain coats
- Waterproof tarpaulins
- Waterproof matches

KITCHEN EQUIPMENT

- Camp stove
- Grill top and charcoal
- Fire starter
- Fry pan
- Sauce pans
- Coffee pot
- Heavy-duty aluminum foil
- Pot holders
- Mixing and serving spoons
- Cooking fork, tongs, spatula
- Kitchen knives
- Can/bottle opener
- Storage containers
- Cooler
- Ice pack
- Insulated jug
- Water container
- Tablecloth, napkins, plates
- Mugs, glasses
- Table knives, forks, spoons
- Dish pan
- Detergent
- Pot scrubbers
- Plastic garbage bags
- Paper towels

TRAVEL AIDS

- Road maps
- Sunglasses
- Litter bags
- Games
- Binoculars
- Camera and film
- Waterproof tarpaulins
- Waterproof matches



THANK YOU FOR PURCHASING A SUPERIOR QUALITY NORTHERN DESIGNS TENT. THIS TROUBLESHOOTING GUIDE IS DESIGNED TO GIVE YOU YEARS OF FUN AND ENJOYMENT FROM YOUR CAMPING EQUIPMENT.

TROUBLESHOOTING GUIDE

PROBLEM	SOLUTION
1. CONDENSATION	THIS IS CAUSED BY LOWER TEMPERATURES ON THE OUTSIDE OF THE TENT COMBINED WITH BODY HEAT ON THE INSIDE OF THE TENT. WHEN THIS OCCURS, AVOID TOUCHING WALLS TO REDUCE CONTACT LEAKAGE. LEAVING THE DOORS AND WINDOWS OPEN WILL REDUCE CONDENSATION OF MOISTURE.
2. SEAM LEAKAGE	TO PROTECT AGAINST SEAM LEAKAGE, APPLY A GENEROUS AMOUNT OF SEAM SEALER ON ALL INTERIOR SEAMS.
3. MILDEW	TO AVOID MILDEW, NEVER PUT YOUR TENT AWAY WET OR DAMP. HOWEVER, IF MILDEW OCCURS, USE A SOFT BRISTLE BRUSH OR SPONGE WITH MILD DISH WASHING SOAP OR FELS NAPHTHA SOAP TO CLEAN. LET THE TENT DRY IN THE SUNLIGHT AND APPLY SEAM SEALER COMPOUND ON INSIDE SEAMS.
4. REPAIRING A TEAR	FOR SMALL TEARS USE A SELF-ADHESIVE PATCH KIT. WE RECOMMEND A CANVAS OR AWNING REPAIR SHOP FOR LARGER TEARS.
5. FAULTY ZIPPER	ALL OF OUR TENTS ARE MANUFACTURED WITH ZIPPERS WHICH, IF THE ZIPPER SEPARATES, CAN BE FIXED BY MOVING THE SLIDER TO THE BEGINNING OF THE ZIPPER TAPE AND REWORKING THE ZIPPER. IF THIS DOESN'T WORK, A REPLACEMENT ZIPPER MAY BE ORDERED FROM OUR PARTS DEPARTMENT, AND MAY BE INSTALLED BY A LOCAL CANVAS OR AWNING REPAIR SHOP IN YOUR AREA.
6. FLOOR CONDENSATION	A GROUND CLOTH UNDER THE TENT PREVENTS THE FLOOR FROM FEELING DAMP AND HELPS PROLONG ITS LIFE. THE CLOTH SHOULD BE SMALLER THAN THE TENT FLOOR TO PREVENT RAIN FROM RUNNING UNDER THE TENT.
7. REMOVING STAKES	STAKE SHOULD BE PULLED WITH ANOTHER STAKE, HAMMER OR STAKE PULLER, BUT NEVER BY PULLING ON THE TENT. AVOID STAKING TENT SO TIGHT THAT IT STRETCHES THE FABRIC. OVERSTRETCHING MAY CAUSE STAKE LOOPS TO TEAR.

PERHAPS WE'VE MISSED SOMETHING IN OUR TROUBLESHOOTING GUIDE. FEEL FREE TO GIVE US YOUR IDEAS ON "TRICKS OF CAMPING", REPAIR PROCEDURES, FEATURES YOU'D LIKE TO SEE, OR JUST YOUR THOUGHTS. SEND THEM TO:

TENT CUSTOMER SERVICE
3333 YALE WAY
FREMONT, CA 94538-6169

To order replacement parts, call toll free
1-800-775-1965 Mon.- Fri, 8:00 a.m. to 5:00 p.m. (PST-West Coast).
Mention complete model numbers.